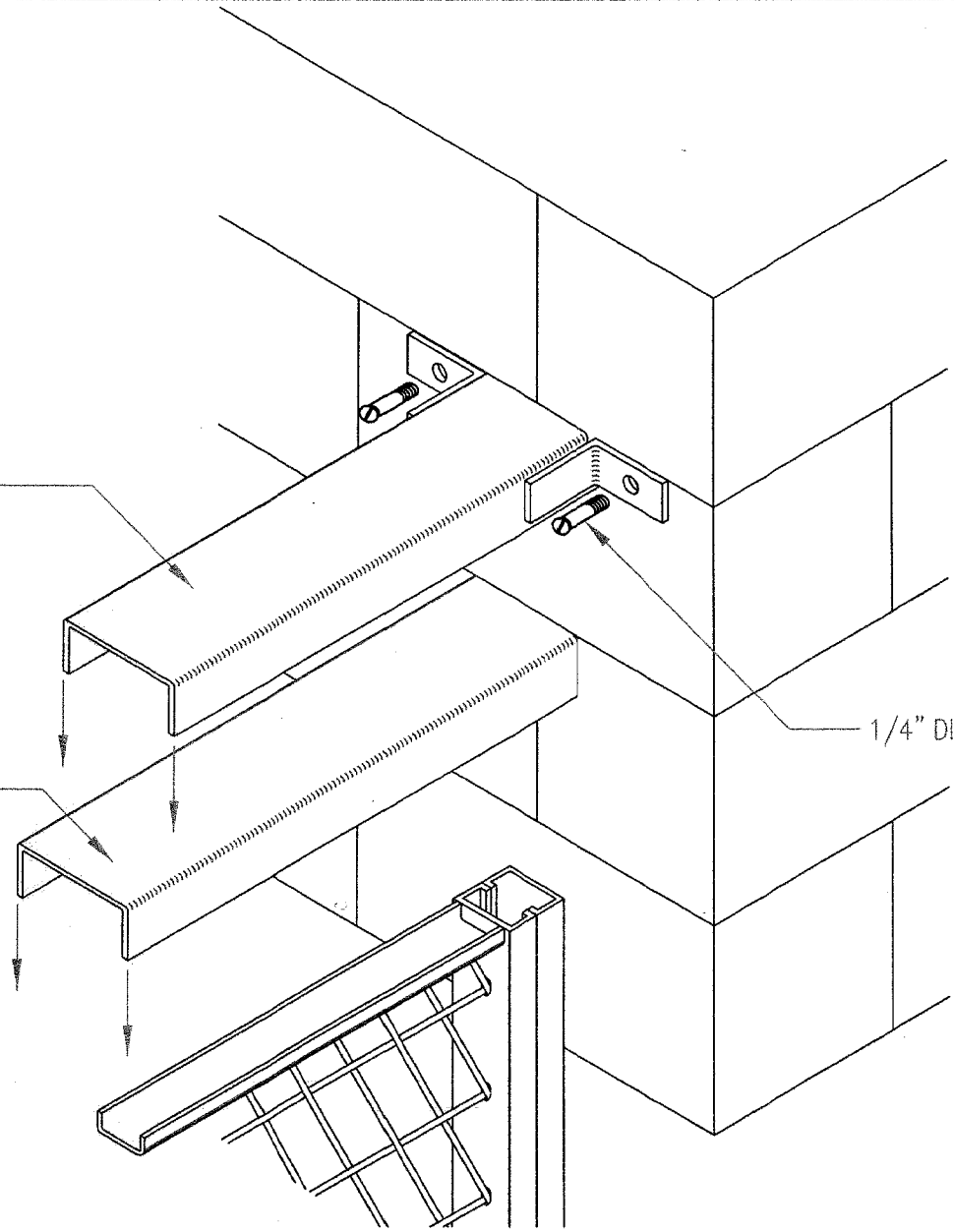


WALL CAP CHANNEL  
(PRESS FIT OVER CAP CHANNEL)

2 1/4" X 1" CAP CHANNEL

1/4" DIA. ANCHOR



TYPICAL PARTITION HEAD AT WALL

NOT TO SCALE